



American Concrete Pipe Co. Inc.

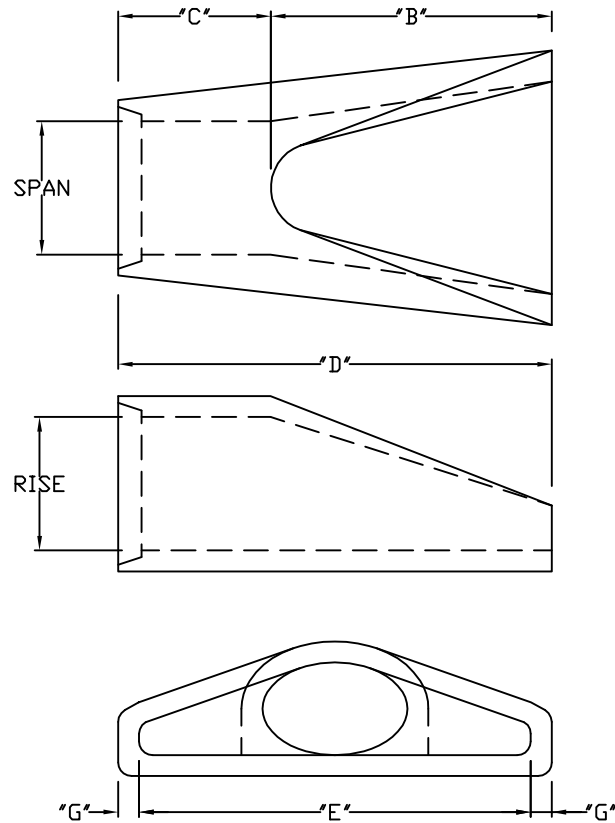
Green Bay
 (920) 494-3436
 Fax (920) 494-3472

Milwaukee
 (414) 466-4990
 Fax (414) 466-4882

www.americanconcretepipe.com

Horizontal Elliptical Flared End Sections

MANUFACTURED PER ASTM C-507



ROUND EQUAL	RISE	SPAN	A	B	C	D	E	G	SLOPE	APPROX. WEIGHT
18"	14	23	7.25	32	40	72	36	2.75	3.4 TO 1	1,600
24"	19	30	8.5	39	33	72	48	3.25	2.8 TO 1	2,300
30"	24	38	9.5	54	18	72	60	3.75	3 TO 1	3,500
36"	29	45	11	60	24	84	72	4.5	2.7 TO 1	3,950
42"	34	53	15.75	60	36	96	78	5	2.6 TO 1	5,600
48"	38	60	21	60	36	96	84	5.5	2.7 TO 1	6,840
54"(M)	43	68	26	60	36	96	90	6	2.6 TO 1	9,410
54"(FE)	43	68	26	60	40.5	100.5	90	6	2.6 TO 1	9,410
60"(M)	48	76	30	60	36	96	96	6.5	2.4 TO 1	11,800
60"(FE)	48	76	30	60	41	101	96	6.5	2.4 TO 1	11,800
66"	53	83	33	58	38	96	102	7	2.1 TO 1	15,000
72"	58	91	36	63	33	96	108	7.5	2.1 TO 1	18,000