



# American Concrete Pipe Co. Inc.

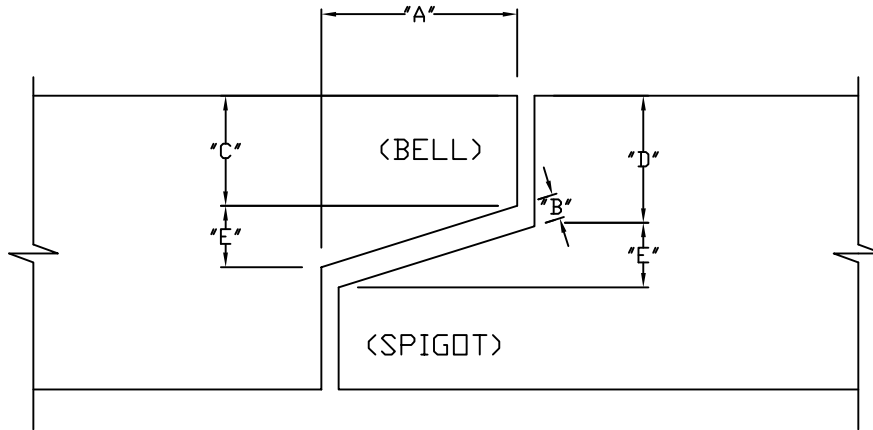
Green Bay  
 (920) 494-3436  
 Fax (920) 494-3472

Milwaukee  
 (414) 466-4990  
 Fax (414) 466-4882

www.americanconcretepipe.com

## Elliptical Reinforced Concrete Pipe

MANUFACTURED PER THE REQUIREMENTS OF ASTM C-507



Round Pipe Equiv.	Nom. Inside Hght.	Nom. Inside Wdth.	Wall	A	B	C	D	E	Nom. End Area Sq. Ft.	Nom. Weight Per Foot
18	14	23	2-3/4	2-0	1/4	1-1/8	1-1/4	5/8	1.8	195
24	19	30	3-1/4	2-0	1/4	1-1/2	1-3/16	1/4	3.3	300
30	24	38	3-3/4	3-3/8	1/4	1-1/2	1-5/8	3/4	5.1	430
36	29	45	4-1/2	3-1/2	1/4	2-0	2-0	1/2	7.4	625
42	34	53	5-0	3-1/2	1/4	2-0	2-3/8	3/4	10.2	815
48	38	60	5-1/2	4-0	1/4	2-1/2	2-1/2	3/4	12.9	1088
54	43	68	6-0	4-1/2	1/4	2-3/4	2-3/4	1-0	16.6	1348
60	48	76	6-1/2	5-0	1/4	2-5/8	3-1/8	3/4	20.5	1475
66	53	83	7-0	5-0	1/4	3-0	3-1/4	1-1/4	24.8	1745
72	58	91	7-1/2	5-1/2	1/4	3-1/4	3-1/2	1-3/8	29.5	2040
78	63	98	8-0	6-0	1/4	3-0	3-3/4	1-1/4	34.6	2350
84	68	106	8-1/2	6-0	1/4	3-1/2	4-0	1-1/2	40.1	2680
90	72	113	9-0	6-0	3/8	4-0	4-3/8	1-1/2	46.1	3050
96	77	121	9-1/2	6-0	3/8	4-1/4	4-5/8	1-1/2	52.4	3420
102	82	128	9-3/4	6-0	3/8	4-3/8	4-3/8	1-1/2	59.2	3725