



AMERICAN  
CONCRETE  
PIPE®

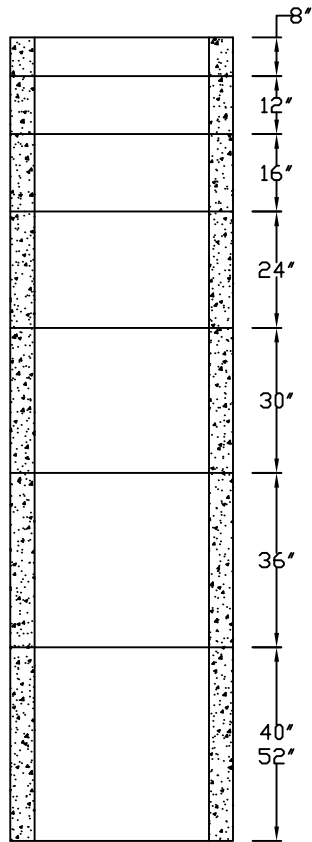
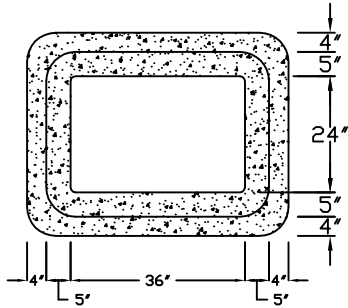
# American Concrete Pipe Co. Inc.

Green Bay  
(920) 494-3436  
Fax (920) 494-3472

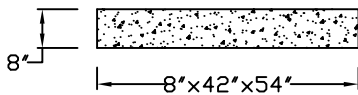
Milwaukee  
(414) 466-4990  
Fax (414) 466-4882

www.americanconcretepipe.com

## 2'X3' Catch Basin



JOINTS  
MORTAR



NOTE: SEPARATE BASE SLAB IS SHOWN.  
EXTENDED MONOLITHIC BASE ALSO AVAILABLE.  
INSIDE MONOLITHIC BASE ALSO AVAILABLE.