



AMERICAN
CONCRETE
PIPE®

American Concrete Pipe Co. Inc.

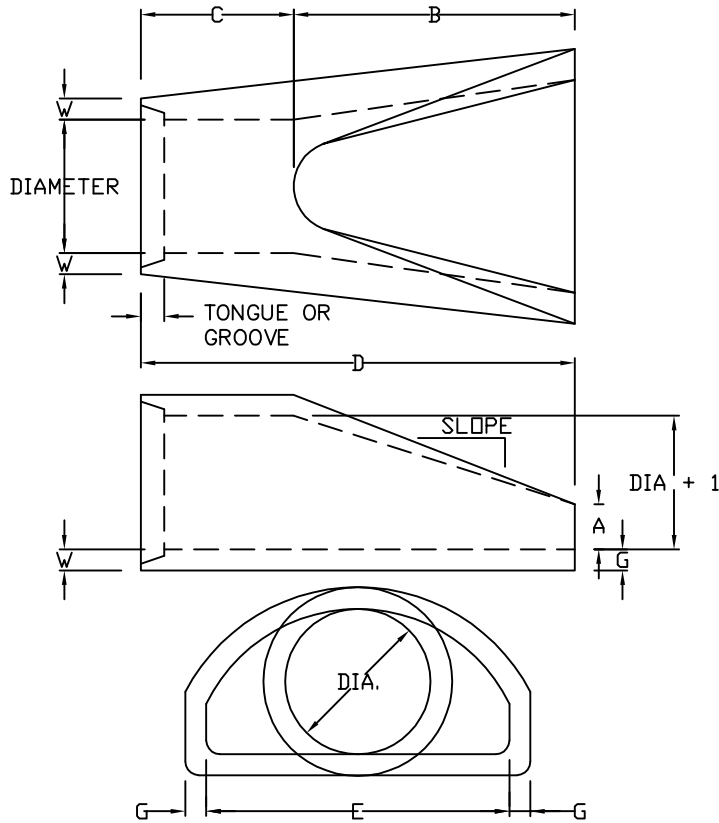
Green Bay
(920) 494-3436
Fax (920) 494-3472

Milwaukee
(414) 466-4990
Fax (414) 466-4882

www.americanconcretepipe.com

Flared End Sections

MANUFACTURED PER ASTM C-76



| DIAMETER | W | TONGUE OR GROOVE | A | B | C | D | E | G | DIA.+1 | WEIGHT | SLOPE |
|----------|-------|------------------|--------|--------|----|----|----|-------|--------|--------|-------|
| 12 | 2 | 3 1/2 | 4 | 24 | 49 | 73 | 20 | 4 | 13 | 1440 | 3:1 |
| 15 | 2 1/4 | 3 1/2 | 6 | 27 | 46 | 73 | 24 | 4 1/2 | 16 | 1780 | 3:1 |
| 18 | 2 1/2 | 3 1/2 | 9 | 27 | 46 | 73 | 29 | 5 | 19 | 2340 | 3:1 |
| 21 | 2 3/4 | 3 7/8 | 9 | 36 | 37 | 73 | 42 | 2 3/4 | 22 | 1700 | 3:1 |
| 24 | 3 | 3 7/8 | 9 1/2 | 43 1/2 | 30 | 73 | 33 | 5 3/4 | 25 | 3440 | 3:1 |
| 27 | 3 1/4 | 4 | 10 1/2 | 49 | 24 | 73 | 54 | 3 1/4 | 28 | 2370 | 3:1 |
| 30 | 3 1/2 | 4 | 12 | 54 | 20 | 74 | 60 | 3 1/2 | 31 | 4640 | 3:1 |
| 36 | 4 | 4 | 15 | 63 | 35 | 98 | 72 | 4 | 37 | 8740 | 3:1 |
| 42 | 4 1/2 | 4 1/4 | 21 | 63 | 35 | 98 | 78 | 4 1/2 | 43 | 6720 | 3:1 |
| 48 | 5 | 4 1/4 | 24 | 72 | 26 | 98 | 84 | 5 | 49 | 7940 | 3:1 |
| 54 | 5 1/2 | 4 1/2 | 27 | 65 | 34 | 99 | 90 | 5 | 55 | 8700 | 2.4:1 |
| 60 | 6 | 4 1/2 | 30 | 60 | 39 | 99 | 96 | 5 | 61 | 10,300 | 2:1 |