

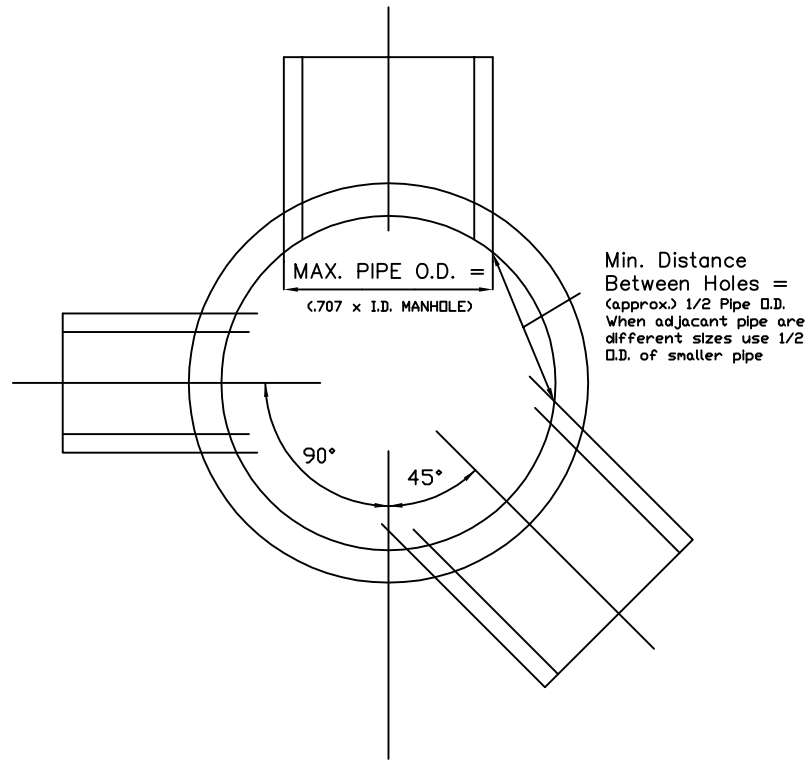


# American Concrete Pipe Co. Inc.

Green Bay  
(920) 494-3436  
Fax (920) 494-3472  
www.americanconcretepipe.com

Milwaukee  
(414) 466-4990  
Fax (414) 466-4882

## Manhole Sizing Chart for using A-Lok Gaskets



TOP VIEW OF MANHOLE

	4 Ft. Manhole 5" Wall	5 Ft. Manhole 6" Wall	6 Ft. Manhole 7" Wall	8 Ft. Manhole 9" Wall
Max. Pipe O.D. Straight thru to 45° Deflection	31.5" O.D. 24" R.C. Pipe	38.5" O.D. 30" R.C. Pipe	51" O.D. 42" R.C. Pipe	73.5" O.D. 60" R.C. Pipe
Max. Pipe O.D. 90° Deflection	25" O.D. 18" R.C. Pipe	33.5" O.D. 27" R.C. Pipe	38.5" O.D. 30" R.C. Pipe	51" O.D. 42" R.C. Pipe