



**AMERICAN
CONCRETE
PIPE®**

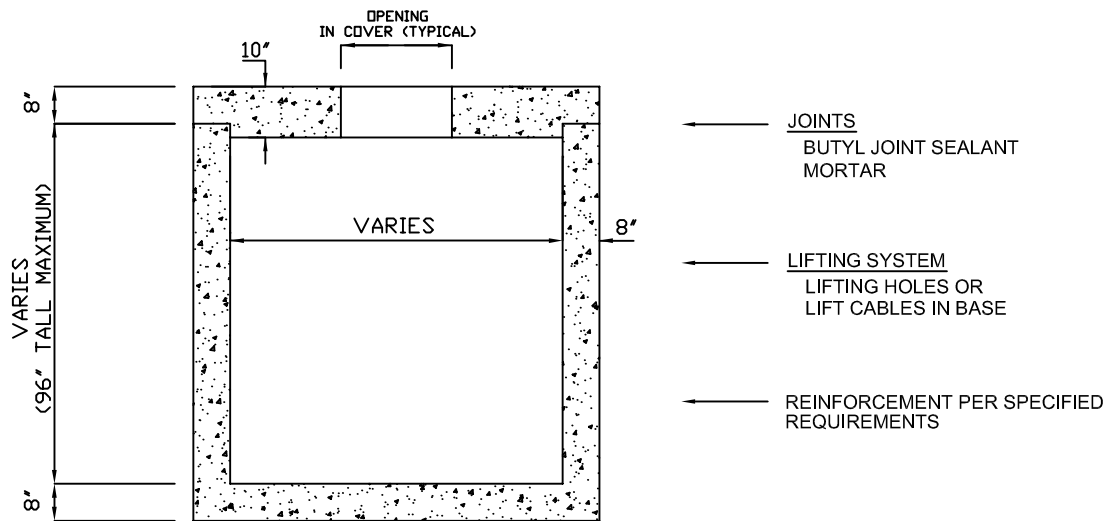
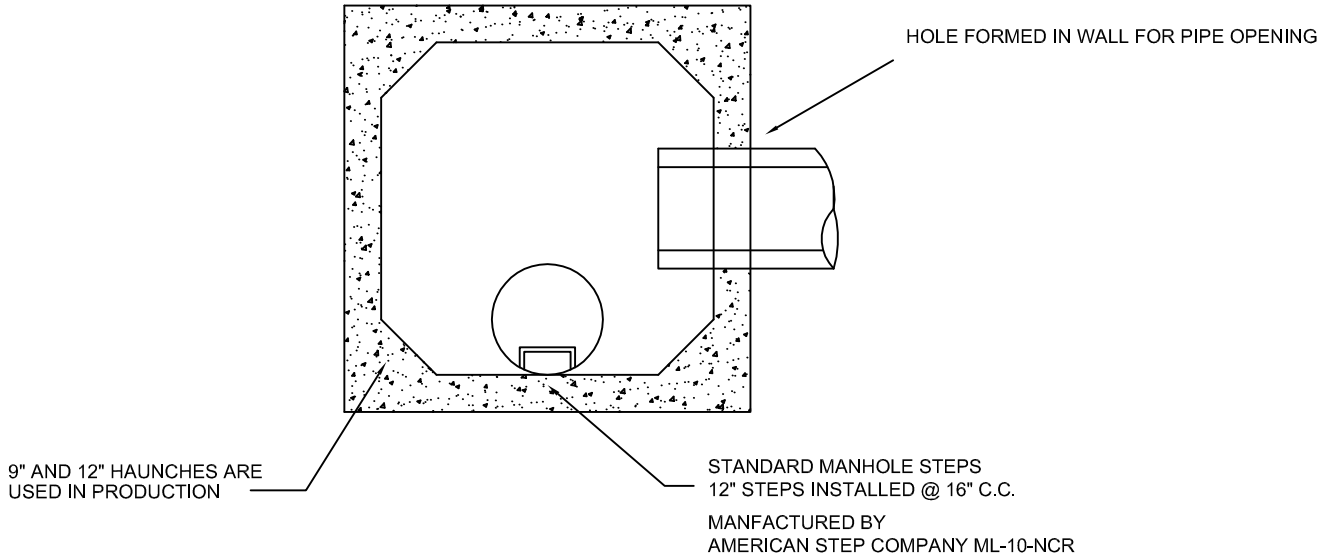
American Concrete Pipe Co. Inc.

Green Bay
(920) 494-3436
Fax (920) 494-3472

Milwaukee
(414) 466-4990
Fax (414) 466-4882

www.americanconcretepipe.com

Reinforced Concrete Box Manhole Detail



NOTE: INSIDE MONOLITHIC BASE IS SHOWN
EXTENDED MONOLITHIC BASE ALSO AVAILABLE
SEPARATE BASE SLAB ALSO AVAILABLE